

# Pedestals

Designers and Manufacturers of Rustguard Enclosures, Primary Sectionalizing Cabinets, Secondary Pedestals and Pole Line Hardware

## Primary Voltage Sectionalizing Cabinets

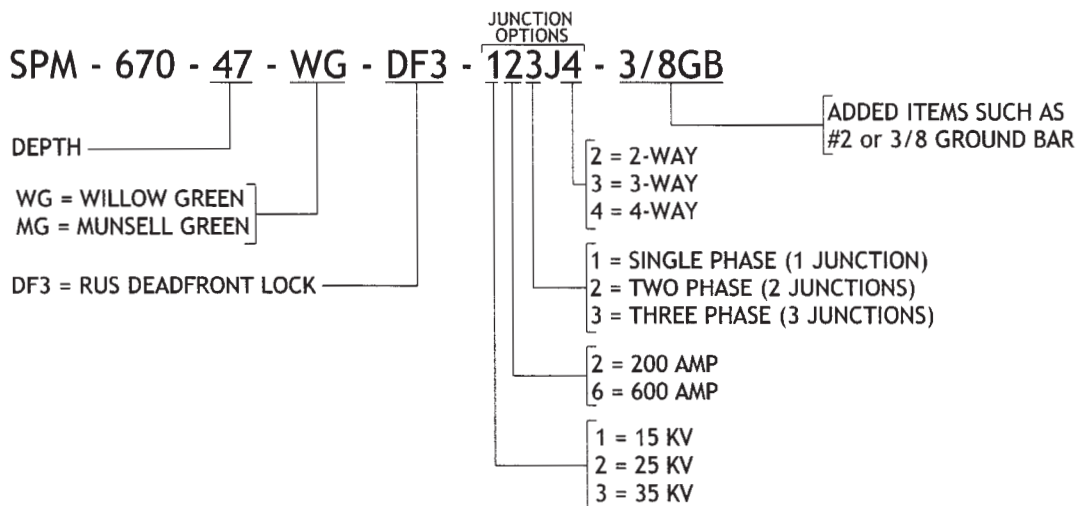
**SPM 670**  
Three Phase

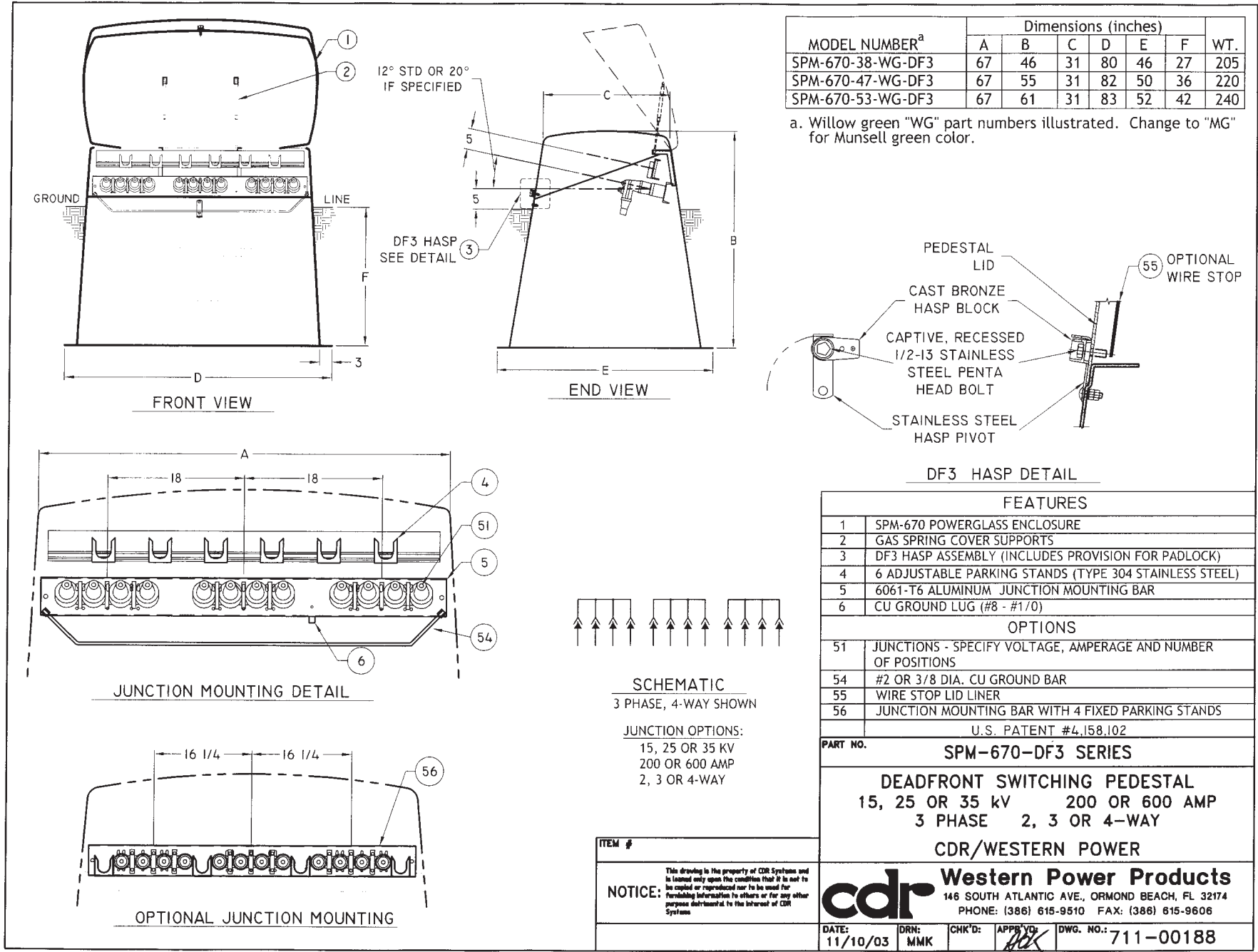


WESTERN POWER PRODUCTS

- **STRONG** - Powerglass® enclosures feature unique top to bottom elliptical shape with stiffeners molded into the walls.
- **CORROSION RESISTANT** - Powerglass® is unaffected by fertilizer spray, salt air or chemicals. All hardware is non-ferrous. No rusting as with steel cabinets.
- **DURABLE** - Ultraviolet stabilized gel coat provides a lifetime finish. Fire retardant-Powerglass® will NOT support combustion.
- **EXCLUSIVE**- Adjustable parking stands permit movement of elbows from connected to parked positions with cable movement as little as 6-1/2".
- **COLORS** - Standard colors are Willow (light) green and Munsell (dark) green. Special colors are available.
- **INTEGRAL GROUND SLEEVE** - low-profile assembly for aesthetic appeal.
- **REMOVABLE TOP** - Allows for ALL AROUND access for extensive service.
- **SAFE** - Gas spring assisted lid opening with removable "hidden" stainless steel hinges. Meets ANSI C57.12.28 and C37.72 specifications.
- **OPTIONS** - Caution/Warning stickers or other marking, Copper ground bar, Wire Stop Lid Liner and Junction Mounting Bar w/ Fixed Parking Stands
- **RUS approved.**

## BUILD-A-PART NUMBER DETAILS





MODEL NUMBER <sup>a</sup>	Dimensions (inches)						WT.
	A	B	C	D	E	F	
SPM-670-38-WG-DF3	67	46	31	80	46	27	205
SPM-670-47-WG-DF3	67	55	31	82	50	36	220
SPM-670-53-WG-DF3	67	61	31	83	52	42	240

a. Willow green "WG" part numbers illustrated. Change to "MG" for Munsell green color.