

Pedestals

Designers and Manufacturers of Rustguard Enclosures, Primary Sectionalizing Cabinets, Secondary Pedestals and Pole Line Hardware

Primary Voltage Sectionalizing Cabinets

SPM 540

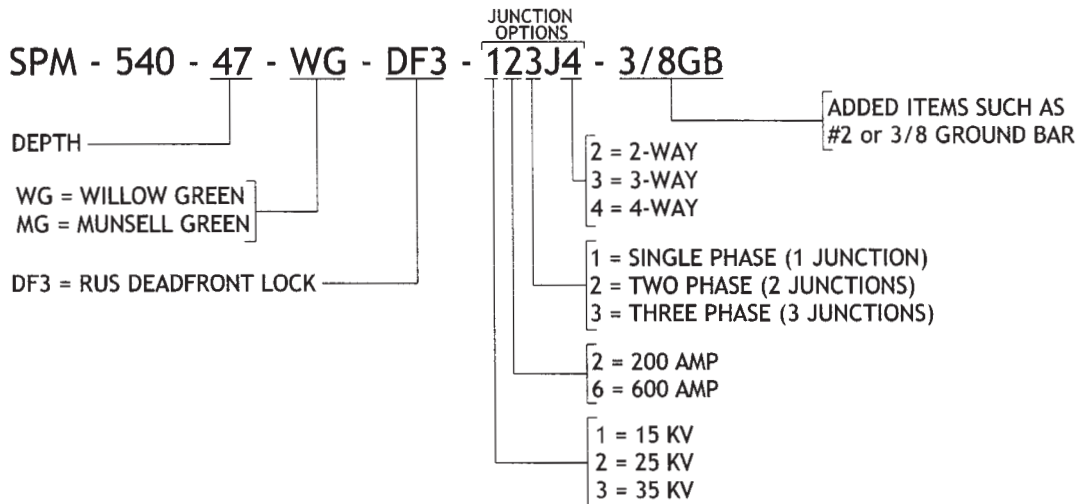
Three Phase

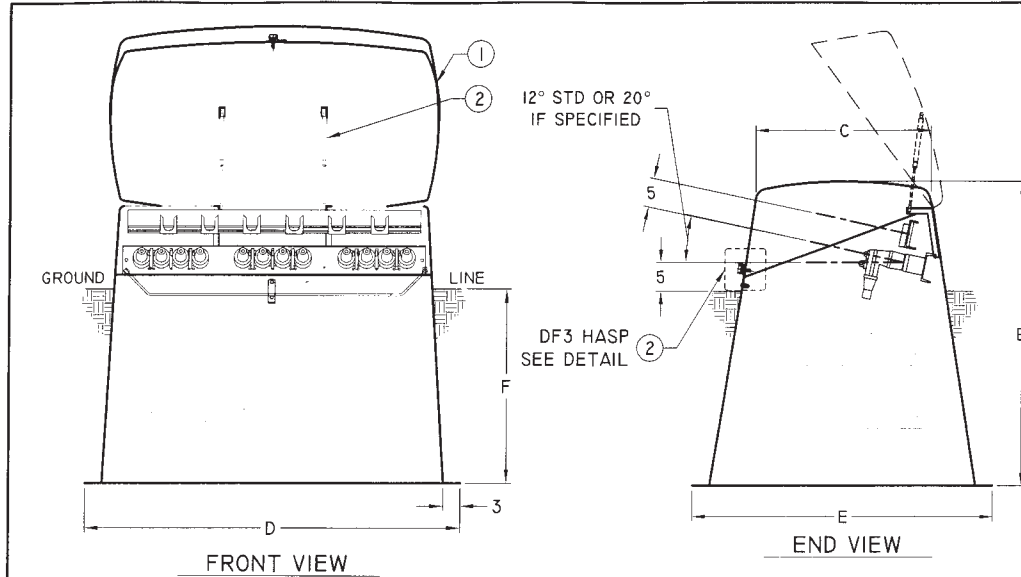


WESTERN POWER PRODUCTS

- **STRONG** - Powerglass® enclosures feature unique top to bottom elliptical shape with stiffeners molded into the walls.
- **CORROSION RESISTANT** - Powerglass® is unaffected by fertilizer spray, salt air or chemicals. All hardware is non-ferrous. No rusting as with steel cabinets.
- **DURABLE** - Ultraviolet stabilized gel coat provides a lifetime finish. Fire retardant-Powerglass® will NOT support combustion.
- **EXCLUSIVE**- Adjustable parking stands permit movement of elbows from connected to parked positions with cable movement as little as 6-1/2".
- **COLORS** - Standard colors are Willow (light) green and Munsell (dark) green. Special colors are available.
- **INTEGRAL GROUND SLEEVE** - low-profile assembly for aesthetic appeal.
- **REMOVABLE TOP** - Allows for ALL AROUND access for extensive service.
- **SAFE** - Gas spring assisted lid opening with removable "hidden" stainless steel hinges. Meets ANSI C57.12.28 and C37.72 specifications.
- **OPTIONS** - Caution/Warning stickers or other marking, Copper ground bar, Wire Stop Lid Liner and Junction Mounting Bar w/ Fixed Parking Stands
- **RUS approved.**

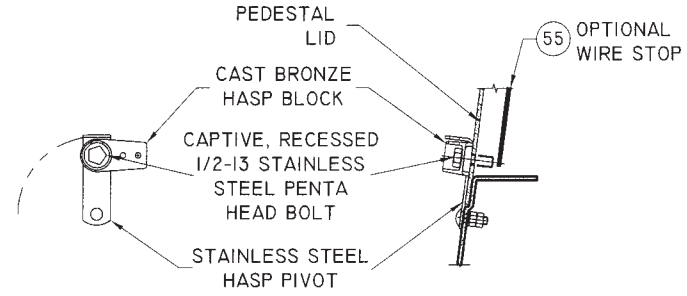
BUILD-A-PART NUMBER DETAILS



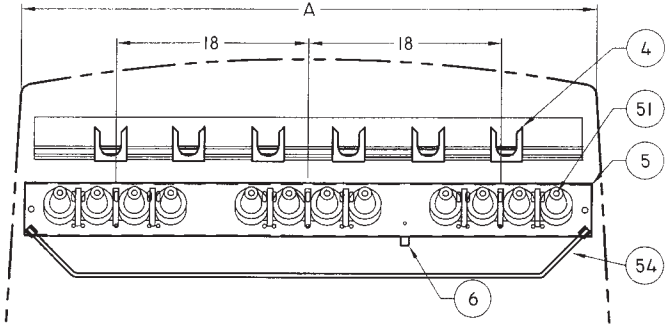


MODEL NUMBER ^a	Dimensions (inches)						WT.
	A	B	C	D	E	F	
SPM-540-38-WG-DF3	54	41	25	66	42	22	130
SPM-540-47-WG-DF3	54	49.5	25	68	45	31	160
SPM-540-53-WG-DF3	54	55.5	25	69	47	37	200
SPM-540-38-6D-WG-DF3	54	41	31	66	48	22	145
SPM-540-47-6D-WG-DF3	54	49.5	31	68	51	31	180
SPM-540-53-6D-WG-DF3	54	55.5	31	69	53	37	215

a. Willow green "WG" part numbers illustrated. Change to "MG" for Munsell green color.



DF3 HASP DETAIL

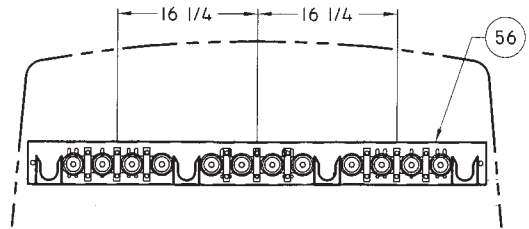


JUNCTION MOUNTING DETAIL



SCHEMATIC
3 PHASE, 4-WAY SHOWN

JUNCTION OPTIONS:
15 OR 25 KV
200 OR 600 AMP
2, 3 OR 4-WAY



OPTIONAL JUNCTION MOUNTING

FEATURES	
1	SPM-540 POWERGLASS ENCLOSURE
2	GAS SPRING COVER SUPPORTS
3	DF3 HASP ASSEMBLY (INCLUDES PROVISION FOR PADLOCK)
4	6 ADJUSTABLE PARKING STANDS (TYPE 304 STAINLESS STEEL)
5	6061-T6 ALUMINUM JUNCTION MOUNTING BAR
6	CU GROUND LUG (#8 - #1/0)

OPTIONS	
51	JUNCTIONS - SPECIFY VOLTAGE, AMPERAGE AND NUMBER OF POSITIONS
54	#2 OR 3/8 DIA. CU GROUND BAR
55	WIRE STOP LID LINER
56	JUNCTION MOUNTING BAR WITH 4 FIXED PARKING STANDS

U.S. PATENT #4,158,102
PART NO. **SPM-540-DF3 SERIES**
DEADFRONT SWITCHING PEDESTAL
15 OR 25 KV 200 OR 600 AMP
3 PHASE 2, 3 OR 4-WAY
CDR/WESTERN POWER

cdr Western Power Products
146 SOUTH ATLANTIC AVE., ORMOND BEACH, FL 32174
PHONE: (386) 615-9510 FAX: (386) 615-9606

ITEM #	DATE:	DRN:	CHK'D:	APP'VD:	DWG. NO.:
NOTICE: This drawing is the property of CDR Systems and is loaned only upon the condition that it is not to be copied or reproduced nor to be used for furnishing information to others or for any other purpose detrimental to the interest of CDR Systems.	7/15/03	AOK		<i>[Signature]</i>	711-00179
REV 1 MMK 11/26/03					