

Pedestals

Designers and Manufacturers of Rustguard Enclosures, Primary Sectionalizing Cabinets, Secondary Pedestals and Pole Line Hardware

Primary Voltage Sectionalizing Cabinet

SPM 420

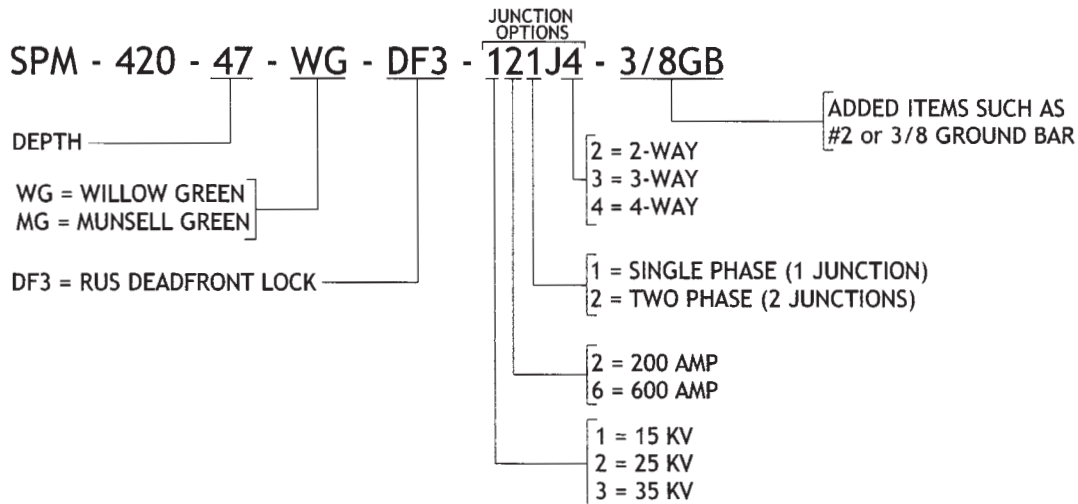
Two Phase

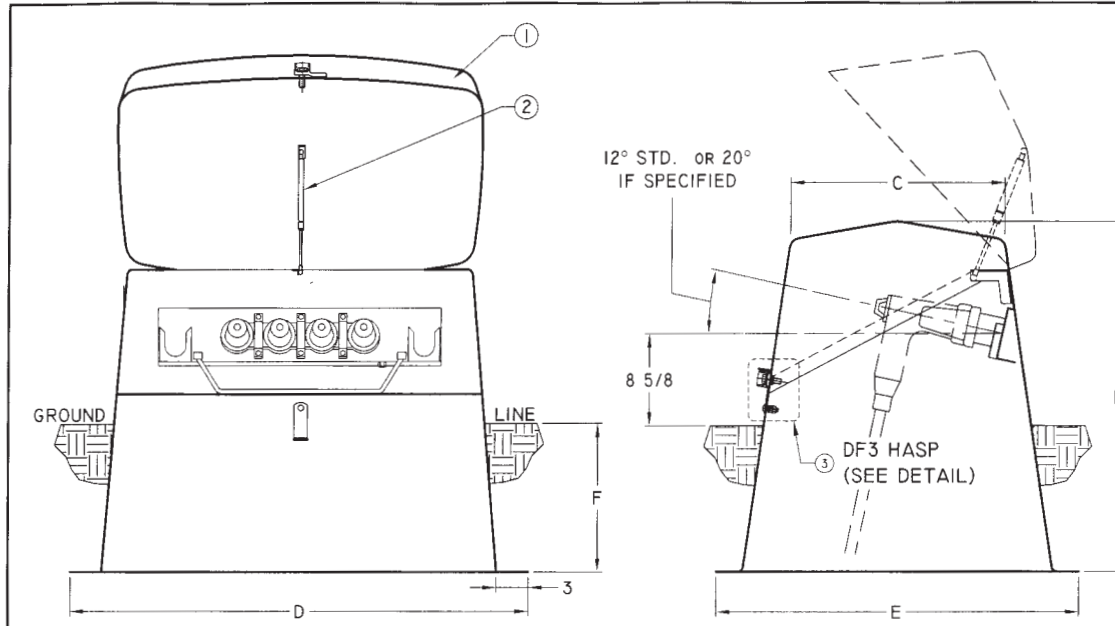


WESTERN POWER PRODUCTS

- **STRONG** - Powerglass® enclosures feature unique top to bottom elliptical shape with stiffeners molded into the walls.
- **CORROSION RESISTANT** - Powerglass® is unaffected by fertilizer spray, salt air or chemicals. All hardware is non-ferrous. No rusting as with steel cabinets.
- **DURABLE** - Ultraviolet stabilized gel coat provides a lifetime finish. Fire retardant-Powerglass® will NOT support combustion.
- **COLORS** - Standard colors are Willow (light) green and Munsell (dark) green. Special colors are available.
- **INTEGRAL GROUND SLEEVE** - low-profile assembly for aesthetic appeal.
- **REMOVABLE TOP** - Allows for ALL AROUND access for extensive service.
- **SAFE** - Gas spring assisted lid opening with removable "hidden" stainless steel hinges. Meets ANSI C57.12.28 and C37.72 specifications.
- **OPTIONS** - Caution/Warning stickers or other marking, Copper ground bar and Wire Stop Lid Liner
- **RUS approved.**

BUILD-A-PART NUMBER DETAILS





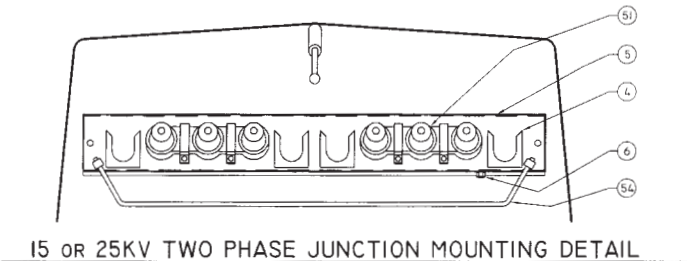
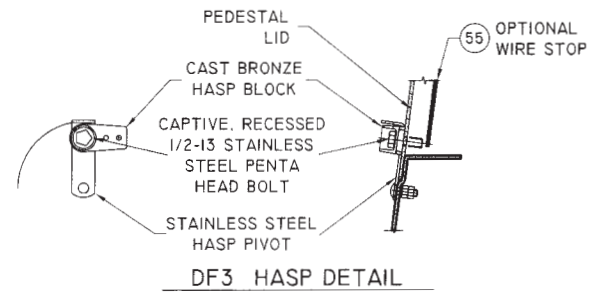
FRONT VIEW

END VIEW

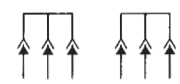
| MODEL NUMBER ^a | Dimensions (inches) | | | | | | WT. |
|---------------------------|---------------------|--------|----|----|----|----|-----|
| | A | B | C | D | E | F | |
| SPM-420-31-WG-DF3 | 42 | 31 1/2 | 25 | 53 | 42 | 13 | 105 |
| SPM-420-41-WG-DF3 | 42 | 41 1/2 | 25 | 55 | 45 | 23 | 145 |
| SPM-420-47-WG-DF3 | 42 | 49 1/2 | 25 | 56 | 47 | 31 | 175 |

a. Willow green "WG" part numbers illustrated. Change to "MG" for Munsell green color.

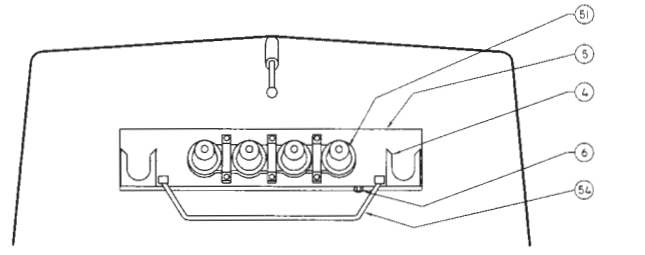
| JUNCTION OPTIONS | |
|------------------|-----------------|
| 2 PHASE | SINGLE PHASE |
| 15 or 25 KV | 15, 25 or 35 KV |
| 200 or 600 AMP | 200 or 600 AMP |
| 2 or 3 WAY | 2, 3 or 4 WAY |



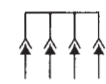
15 or 25KV TWO PHASE JUNCTION MOUNTING DETAIL



SCHEMATIC
15, 25 KV TWO PHASE, 3-WAY SHOWN



35KV SINGLE PHASE JUNCTION MOUNTING DETAIL



SCHEMATIC
35KV SINGLE PHASE, 4-WAY SHOWN

| FEATURES | |
|---|---|
| 1 | SPM-420 POWERGLASS PEDESTAL |
| 2 | GAS SPRING COVER SUPPORT |
| 3 | DF3 HASP ASSEMBLY (INCLUDES PROVISION FOR PADLOCK) |
| 4 | FIXED PARKING STANDS (TYPE 304 STAINLESS STEEL) |
| 5 | STAINLESS STEEL JUNCTION MOUNTING BAR |
| 6 | CU GROUND LUG (#8 - #1/0) |
| OPTIONS | |
| 51 | JUNCTIONS - SPECIFY VOLTAGE, AMPERAGE AND NUMBER OF POSITIONS |
| 54 | #2 OR 3/8 DIA. CU GROUND BAR |
| 55 | WIRE STOP LID LINER |
| U.S. PATENT #4,158,102 | |
| PART NO. | SPM-420-DF3 SERIES |
| DEADFRONT SWITCHING PEDESTAL 15 or 25 KV, 200 or 600 AMP TWO PHASE 15,25 or 35KV, 200 or 600 AMP SINGLE PHASE | |
| CDR/WESTERN POWER | |
| Western Power Products 146 SOUTH ATLANTIC AVE., ORMOND BEACH, FL 32174 PHONE: (386) 615-9510 FAX: (386) 615-9606 | |
| DATE: | 11/18/03 |
| DRN: | MMK |
| CHK'D: | |
| APPR'VD: | |
| DWG. NO.: | 711-00189 |

ITEM #
NOTICE: This drawing is the property of CDR Systems and is loaned only upon the condition that it is not to be copied or reproduced nor to be used for furnishing information to others or for any other purpose detrimental to the interest of CDR Systems.