

# Pedestals

Designers and Manufacturers of Rustguard Enclosures, Primary Sectionalizing Cabinets, Secondary Pedestals and Pole Line Hardware

## Primary Voltage Sectionalizing Cabinets

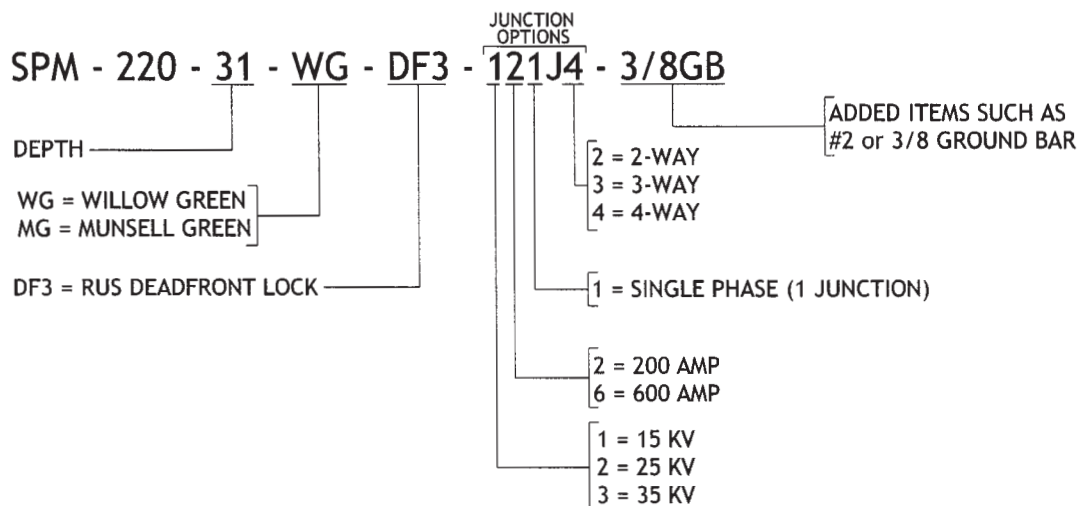
**SPM 220**  
Single Phase

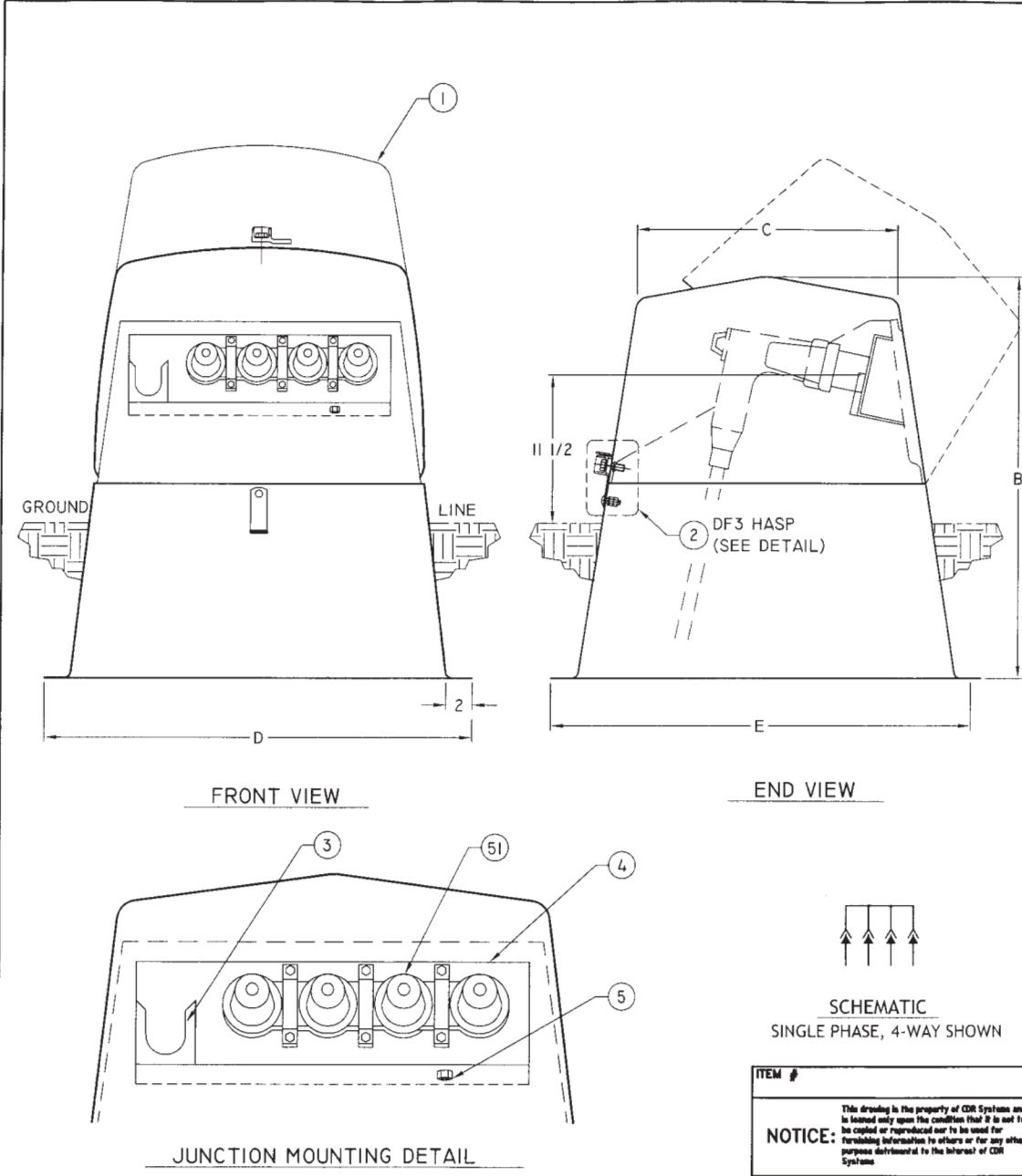


WESTERN POWER PRODUCTS

- **STRONG** - Powerglass® enclosures feature unique top to bottom elliptical shape with stiffeners molded into the walls.
- **CORROSION RESISTANT** - Powerglass® is unaffected by fertilizer spray, salt air or chemicals. All hardware is non-ferrous. No rusting as with steel cabinets.
- **DURABLE** - Ultraviolet stabilized gel coat provides a lifetime finish. Fire retardant-Powerglass® will NOT support combustion.
- **COLORS** - Standard colors are Willow (light) green and Munsell (dark) green. Special colors are available.
- **INTEGRAL GROUND SLEEVE** - low-profile assembly for aesthetic appeal.
- **REMOVABLE TOP** - Allows for ALL AROUND access for extensive service.
- **SAFE** - Cable lid stop with removable "hidden" stainless steel hinges. Meets ANSI C57.12.28 and C37.72 specifications.
- **OPTIONS** - Copper ground bar, Caution/Warning stickers or other markings available.
- **RUS approved.**

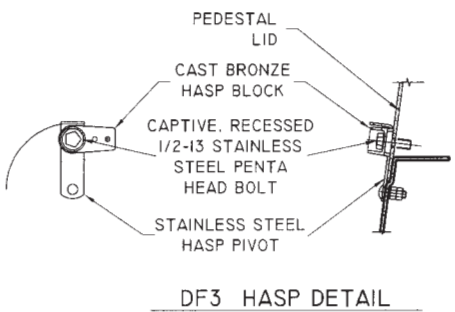
## BUILD-A-PART NUMBER DETAILS





MODEL NUMBER <sup>a</sup>	Dimensions (inches)						WT.
	A	B	C	D	E	F	
SPM-220-31-WG-DF3	22	32 3/8	20	33	33	13	70

a. Willow green "WG" part numbers illustrated. Change to "MG" for Munsell green color.



FEATURES	
1	SPM-220 POWERGLASS PEDESTAL
3	DF3 HASP ASSEMBLY (INCLUDES PROVISION FOR PADLOCK)
4	2 FIXED PARKING STANDS (TYPE 304 STAINLESS STEEL)
5	STAINLESS STEEL JUNCTION MOUNTING BAR
6	CU GROUND LUG (#8 - #1/0)

OPTIONS	
51	JUNCTIONS - SPECIFY VOLTAGE, AMPERAGE AND NUMBER OF POSITIONS
54	#2 OR 3/8 DIA. CU GROUND BAR

U.S. PATENT #4,158,102

PART NO. **SPM-220-DF3 SERIES**

**DEADFRONT SWITCHING PEDESTAL**  
 15 OR 25 kV 200 OR 600 AMP  
 SINGLE PHASE 2, 3 or 4-WAY JUNCTION  
 CDR/WESTERN POWER

**cdr Western Power Products**  
 146 SOUTH ATLANTIC AVE., ORMOND BEACH, FL 32174  
 PHONE: (386) 615-9510 FAX: (386) 615-9606

DATE: 12/19/03	DRN: EGH	CHK'D:	APPR'D: <i>PK</i>	DWG. NO.: 711-00194
-------------------	-------------	--------	----------------------	------------------------

ITEM #

**NOTICE:** This drawing is the property of CDR Systems and is loaned only upon the condition that it is not to be copied or reproduced nor to be used for furnishing information to others or for any other purpose detrimental to the interest of CDR Systems.