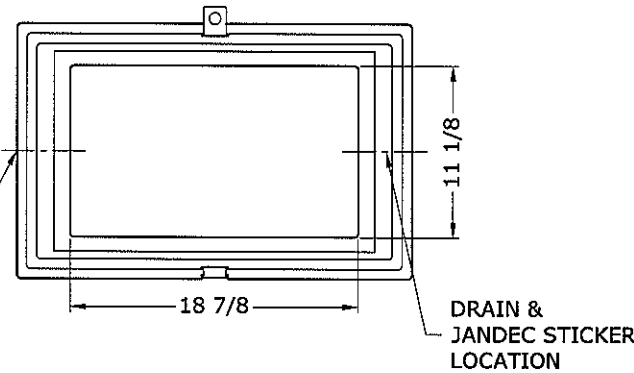


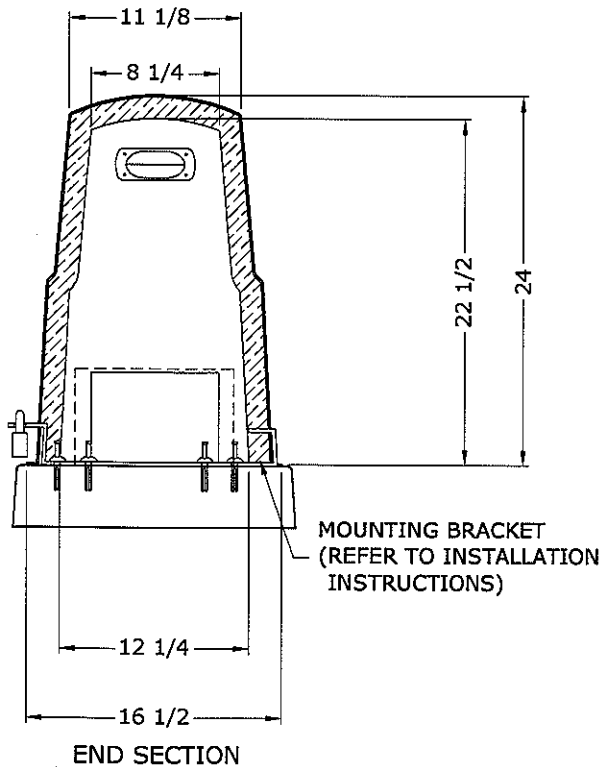
Installation Instructions for E1

1. Position the mounting bracket in the center of the risers, perpendicular to the backflow assembly and equally spaced on each side of the backflow assembly.
2. Drill four 1/4" dia. holes in the concrete using supplied bit.
3. Insert 1/4" anchor in hole and set with hammer.
4. Place enclosure over valve and slide forward into place and lock with padlock.

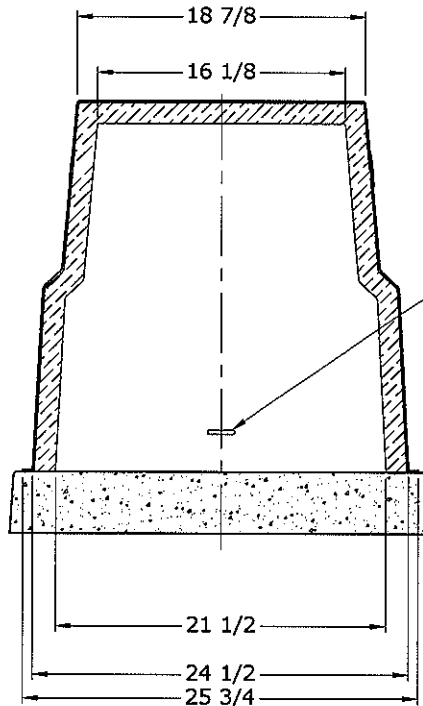
ASSE NAME PLATE LOCATION



TOP VIEW



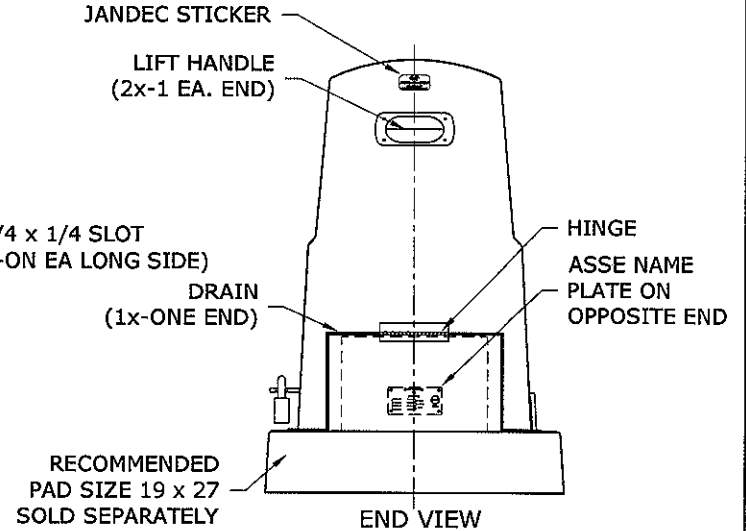
MOUNTING BRACKET (REFER TO INSTALLATION INSTRUCTIONS)



SIDE SECTION

- ASSE 1060 CERTIFIED
- ENCLOSURES ARE FIBERGLASS WITH A BEIGE UV RESISTANT GEL COAT SURFACE.
- ENCLOSURES ARE INTERNALLY LINED WITH POLYISO FOAM INSULATION FOR MINIMUM R FACTOR OF 9.
- JANDEC ENCLOSURES ARE USED TO PROTECT BACK FLOW PREVENTER DEVICES FROM FREEZING, PREMATURE RUSTING, THEFT, VANDALISM AND VEHICLE DAMAGE.
- THE ENCLOSURE HAS A CURVED TOP AND SLANTED WALLS WITH RADIUS CORNERS THAT ASSIST IN WATER RUN OFF AND SNOW REMOVAL.
- JANDEC ENCLOSURES ARE FACTORY ASSEMBLED, ELIMINATING ON THE JOB ASSEMBLY.

ERBM/MD



END VIEW

PART NO.	E1R9
12 1/4 x 21 1/2 X 22 1/2 ENCLOSURE w/ DRAIN	
FITS 1/4"-2" N-PATTERN VALVE SIZE	
STANDARD VERSION	

ITEM #
 NOTICE: This drawing is the property of CDR Systems and is loaned only upon the condition that it is not to be copied or reproduced nor to be used for furnishing information to others or for any other purpose detrimental to the interest of CDR Systems
 REV 2 MMK 8/20/07

cdr **JANDEC/COVERSTONE**
 146 SOUTH ATLANTIC AVE., ORMOND BEACH, FL. 32176
 PHONE: (386) 615-9510 FAX: (386) 615-9606

DATE: 7/23/073	DRN: MMK	CHK'D:	APPR'VD:	DWG. NO.: 661-0003
----------------	----------	--------	----------	--------------------