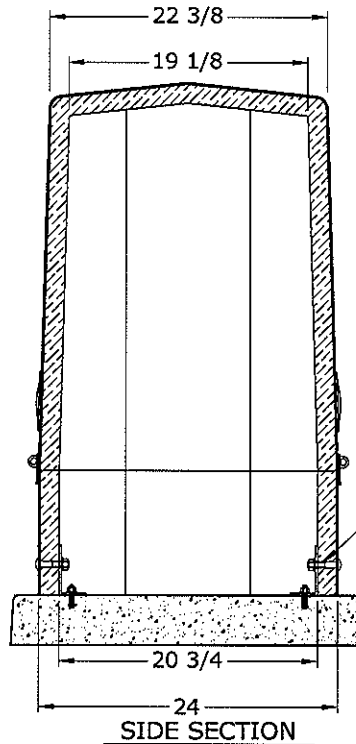
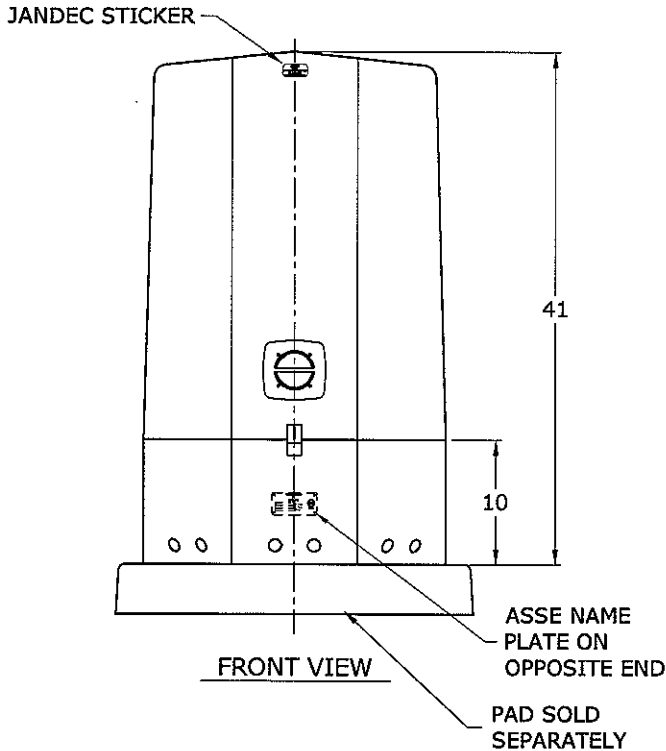
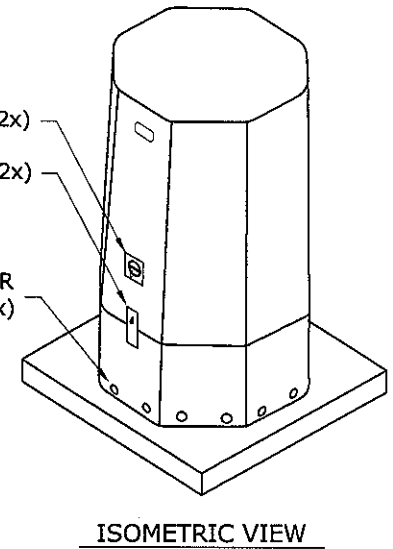
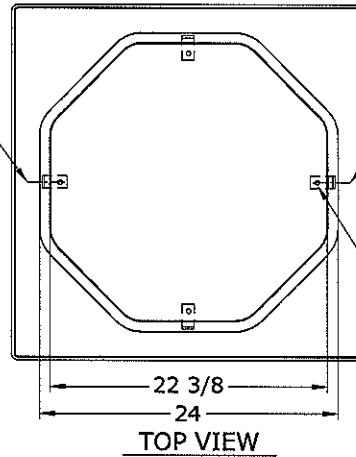


- ASSE 1060 CERTIFIED
- ENCLOSURES ARE FIBERGLASS WITH A BEIGE UV RESISTANT GEL COAT SURFACE.
- ENCLOSURES ARE INTERNALLY LINED WITH POLYISO FOAM INSULATION FOR MINIMUM R FACTOR OF 9.
- JANDEC ENCLOSURES ARE USED TO PROTECT AIR VALVE FROM FREEZING, PREMATURE RUSTING, THEFT, VANDALISM AND VEHICLE DAMAGE.
- THE ENCLOSURE HAS A CURVED TOP AND SLANTED WALLS WITH RADIUS CORNERS THAT ASSIST IN WATER RUN OFF AND SNOW REMOVAL.
- JANDEC ENCLOSURES ARE FACTORY ASSEMBLED, ELIMINATING ON THE JOB ASSEMBLY.



PART NO.	AV2041
24 x 24 x 41 AIR VALVE ENCLOSURE w/ 1" AIR DRAIN PORTS SINGLE LIFT OFF COVER FOR AIR VALVES STANDARD VERSION	

ITEM #	
NOTICE	This drawing is the property of CDR Systems and is loaned only upon the condition that it is not to be copied or reproduced nor to be used for furnishing information to others or for any other purpose detrimental to the interest of CDR Systems
DATE:	7/31/07
DRN:	MMK
CHK'D:	
APPR'VD:	
DWG. NO.:	661-0004
REV 1	MMK 8/20/07

cdr **JANDEC/COVERSTONE**
 146 SOUTH ATLANTIC AVE., ORMOND BEACH, FL. 32176
 PHONE: (386) 615-9510 FAX: (386) 615-9606