



6 X 8 BOXES

FOR SPLICE BOXES – HANDHOLES – GROUNDING

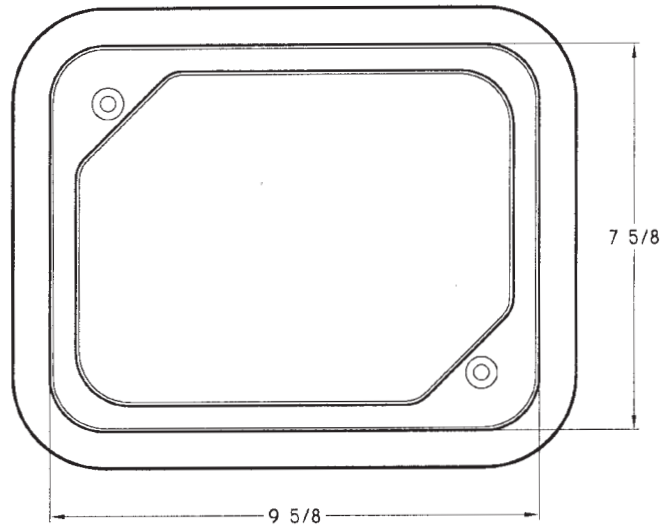
- **STRONG** - 4 to 5 times the strength of concrete
- **LIGHTWEIGHT** - Quick easy installation for **LOWEST INSTALLED COST**
- **AVAILABLE** - Light traffic
- **STACKABLE** -for added depth
- **NON-CONDUCTIVE** - And unaffected by UV light, moisture, freezing and sub soil chemicals
- **STAINLESS STEEL HARDWARE** - non corrosive
- **NO EXTRA CHARGE** - for standard cover logos

Assemblies

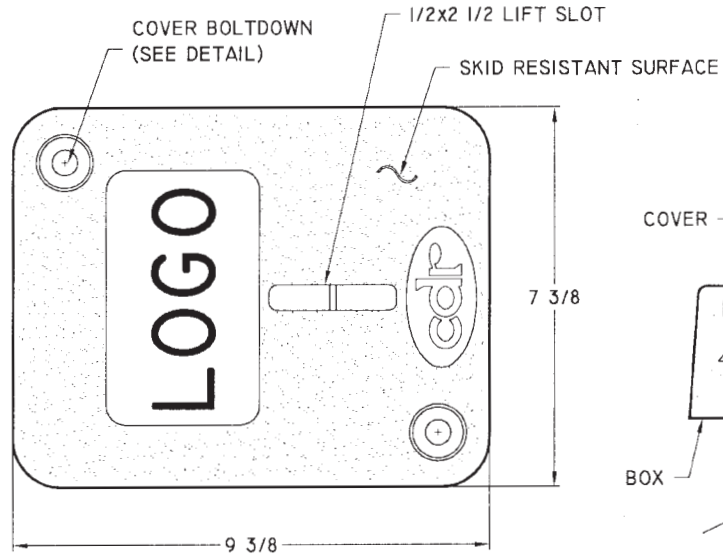
Box and Cover	Part No.	Weight
6" deep (straight wall)	_A33-0608-06	11 lb.

Components

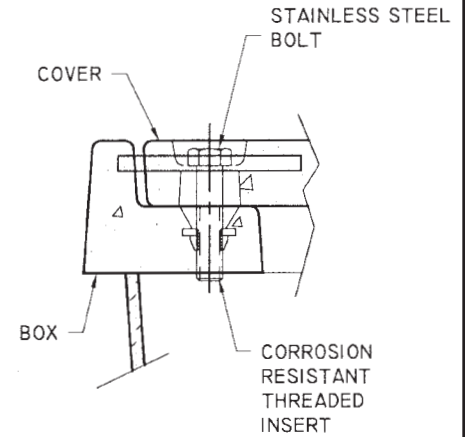
	Part No.	Weight
Box 6" deep (straight wall)	_B33-0608-06	6 lb.
Cover 1" thick	_C30-0608-01	5 lb.



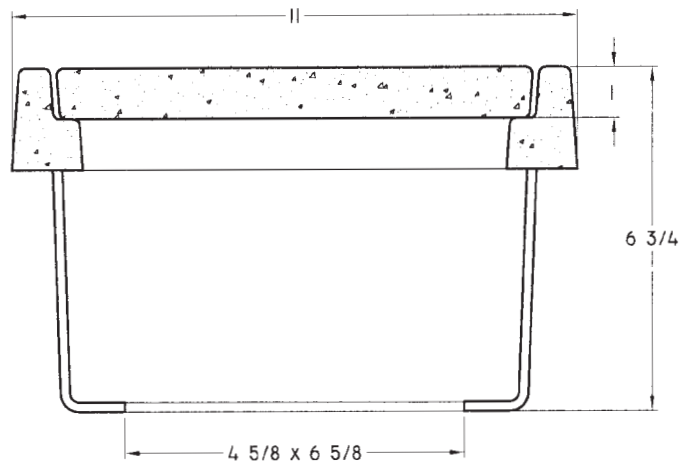
TOP VIEW



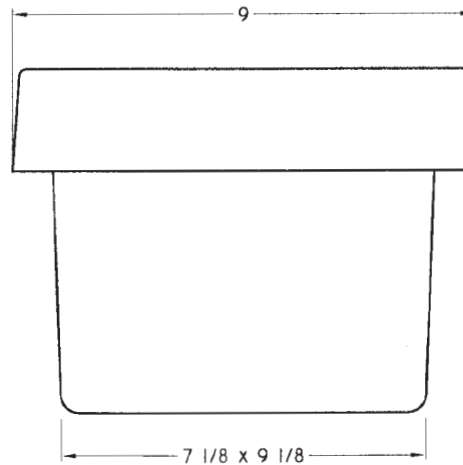
COVER



COVER BOLTDOWN DETAIL



SECTION



END VIEW

- MATERIAL: FIBERGLASS REINFORCED POLYMER CONCRETE & FIBERGLASS REINFORCED POLYMER
- STANDARD COLOR: CONCRETE GRAY
- OPTIONAL COLORS AVAILABLE FOR COVER & BOX COLLAR

cdr CDR SYSTEMS GROUP
 148 SOUTH ATLANTIC AVE., ORMOND BEACH, FL 32178

TITLE			
06 x 08 SERIES			
BOX & COVER			
DRAWN	MMK	DATE	1/25/05
CHECKED		A SIZE	951-0444
APPROVED	AOK		