



# 3200 ROUND BOXES

SPLICE BOXES – HANDHOLES – METER BOXES –  
FIBER OPTICS

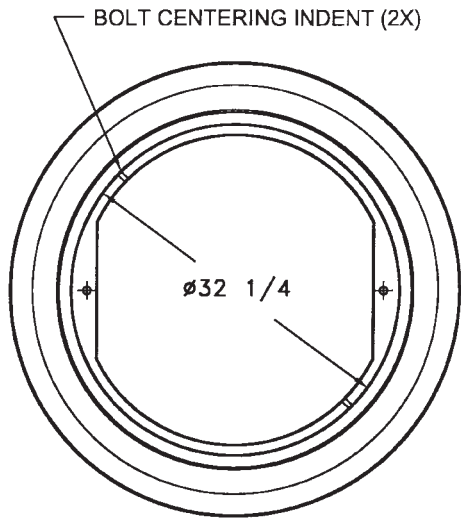
- **STRONG** - 4 to 5 times the strength of concrete
- **LIGHTWEIGHT** - Quick easy installation for **LOWEST INSTALLED COST**
- **AVAILABLE** - Light traffic or Heavy duty design
- **NESTABLE** - for easy storage, transportation and freight savings
- **NON-CONDUCTIVE** - And unaffected by UV light, moisture, freezing and sub soil chemicals
- **STAINLESS STEEL HARDWARE** - non-corrosive
- **NO EXTRA CHARGE** - for standard cover logos
- **LIDS CANNOT FALL INTO ROUND BOX**

## Assemblies

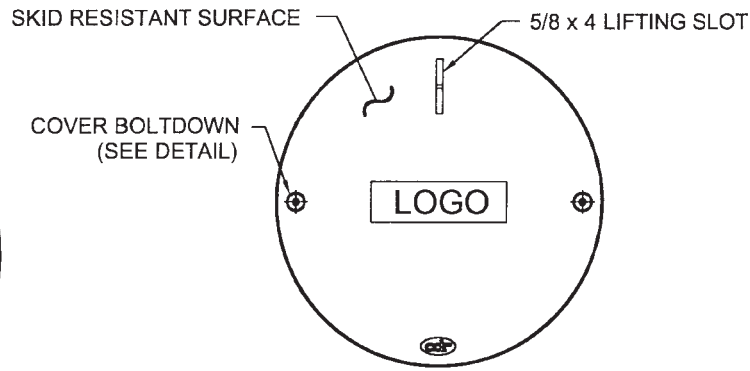
Box and Cover	COVER		LIGHT TRAFFIC		HEAVY DUTY	
	NOT BOLTED	BOLTED	Part No.	WT.	Part No.	WT.
36" deep	•		_A00-3200-36	190	_A02-3200-36	216
		•	_A10-3200-36	190	_A12-3200-36	216

## Components

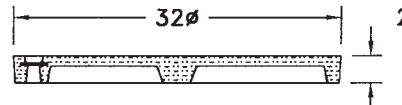
	LIGHT TRAFFIC				HEAVY DUTY			
	NOT BOLT DOWN		BOLT DOWN		NOT BOLT DOWN		BOLT DOWN	
	Part No.	WT.	Part No.	WT.	Part No.	WT.	Part No.	WT.
Box 36" deep	_B00-3200-36	99	_B10-3200-36	99	_B02-3200-36	110	_B12-3200-36	110
Cover 2" thick	_C00-3200-02	91	_C10-3200-02	91	_C02-3200-02	106	_C12-3200-02	106



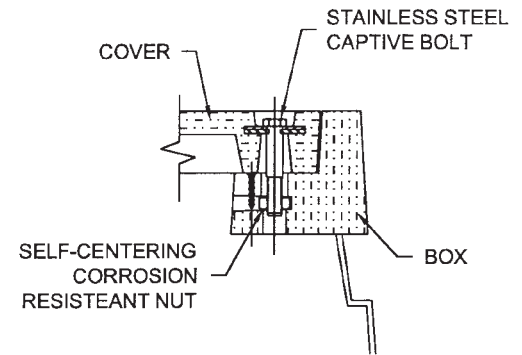
TOP VIEW



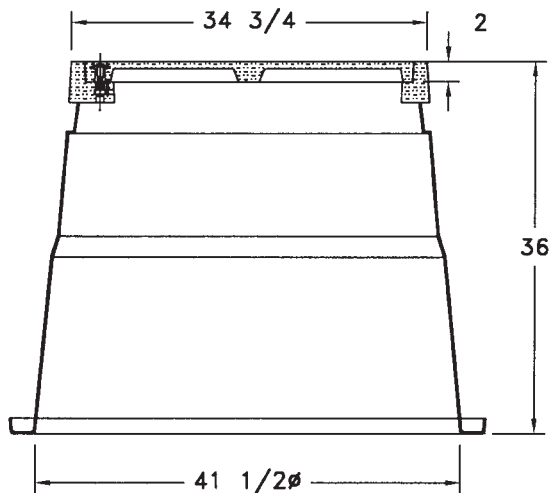
COVER



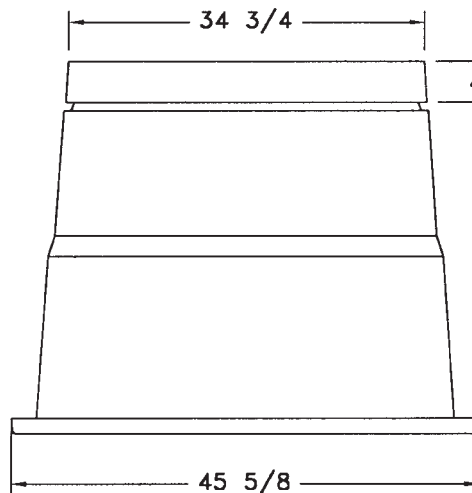
COVER SECTION



COVER BOLT DOWN DETAIL





SECTION



SIDE

- MATERIAL: FIBERGLASS REINFORCED POLYMER CONCRETE & FIBERGLASS REINFORCED POLYMER
- BOLT ALIGNMENT GUIDES ON COVER
- COLORS: CONCRETE GRAY (OTHER COLORS OPTIONAL)

 <b>CDR SYSTEMS GROUP</b> 146 SOUTH ATLANTIC AVE., ORMOND BEACH, FL. 32176			
TITLE <b>3200 ROUND SERIES</b> <b>BOX &amp; COVER</b>			
<b>DRAWN</b>	<i>E. HODGKINS</i>	<b>DATE</b>	7/1/02
<b>CHECKED</b>		 SIZE	<b>951-0317</b>
<b>APPROVED</b>	<i>AOK</i>		