



2700 ROUND BOXES

SPLICE BOXES – HANDHOLES – METER BOXES – FIBER OPTICS

- **STRONG** - 4 to 5 times the strength of concrete
- **LIGHTWEIGHT** - Quick easy installation for **LOWEST INSTALLED COST**
- **AVAILABLE** - Light traffic or Heavy duty design
- **NESTABLE** - for easy storage, transportation and freight savings
- **NON-CONDUCTIVE** - And unaffected by UV light, moisture, freezing and sub soil chemicals
- **STAINLESS STEEL HARDWARE** - non-corrosive
- **NO EXTRA CHARGE** for standard cover logos
- **LIDS CANNOT FALL INTO ROUND BOX**

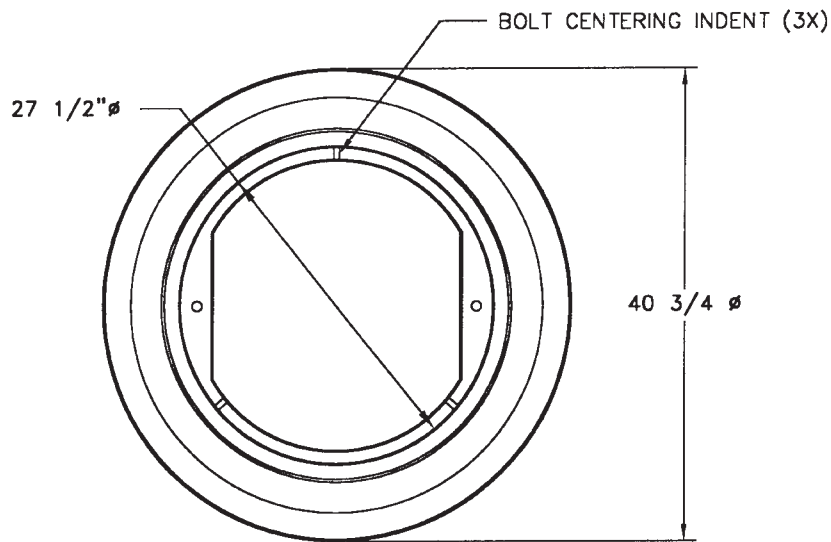
Assemblies

| Box and Cover | COVER | | LIGHT TRAFFIC | | HEAVY DUTY | |
|---------------|------------|--------|---------------|-----|--------------|-----|
| | NOT BOLTED | BOLTED | Part No. | WT. | Part No. | WT. |
| 36" deep | • | | _A00-2700-36 | 145 | _A02-2700-36 | 186 |
| | | • | _A10-2700-36 | 145 | _A12-2700-36 | 186 |
| 72" deep* | • | | _A00-2700-72 | 290 | _A02-2700-72 | 372 |
| | | • | _A10-2700-72 | 290 | _A12-2700-72 | 372 |

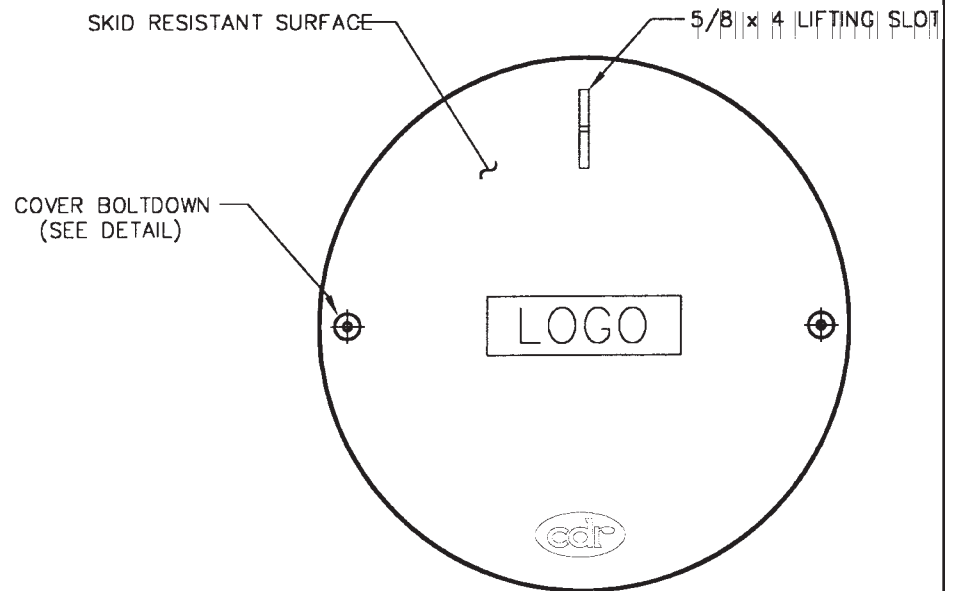
* 72" depth created by bolting 2-36" deep boxes bottom to bottom

Components

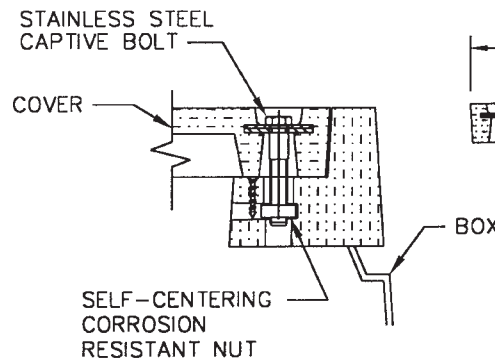
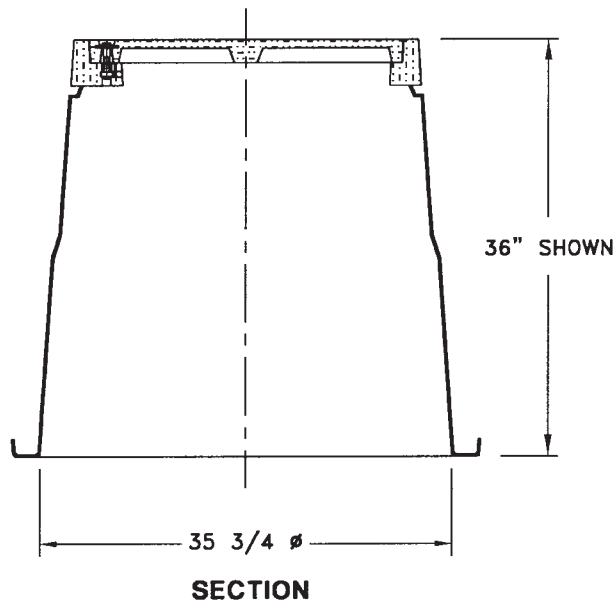
| | LIGHT TRAFFIC | | | | HEAVY DUTY | | | |
|----------------|---------------|-----|--------------|-----|---------------|-----|--------------|-----|
| | NOT BOLT DOWN | | BOLT DOWN | | NOT BOLT DOWN | | BOLT DOWN | |
| | Part No. | WT. | Part No. | WT. | Part No. | WT. | Part No. | WT. |
| Box 36" deep | _B00-2700-36 | 95 | _B10-2700-36 | 95 | _B02-2700-36 | 121 | _B12-2700-36 | 121 |
| Cover 2" thick | _C00-2700-02 | 50 | _C10-2700-02 | 50 | _C02-2700-02 | 65 | _C12-2700-02 | 65 |



BOX PLAN VIEW

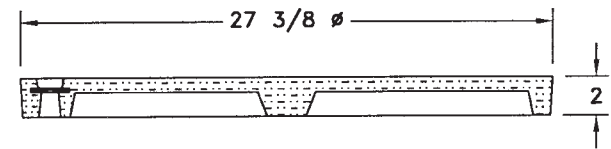


COVER PLAN VIEW



COVER BOLTDOWN DETAIL

- BOLT ALIGNMENT GUIDES ON COVER
- COVER: REINFORCED POLYMER CONCRETE
- BOX: FIBERGLASS REINFORCED POLYMER
- COLORS: CONCRETE GRAY STANDARD (OTHER COLORS OPTIONAL)



COVER SECTION

cdr CDR SYSTEMS GROUP
 146 SOUTH ATLANTIC AVE., ORMOND BEACH, FL 32176

TITLE **2700 ROUND SERIES**
BOX & COVER

| | | | |
|----------|-------------|-----------|----------|
| DRAWN | E. HODGKINS | DATE | 7/1/02 |
| CHECKED | | A SIZE | 951-0159 |
| APPROVED | AOK | | |