



24 X 60 PULL BOX

FOR SPLICE BOXES – HANDHOLES – METER BOXES –
FIBER OPTICS

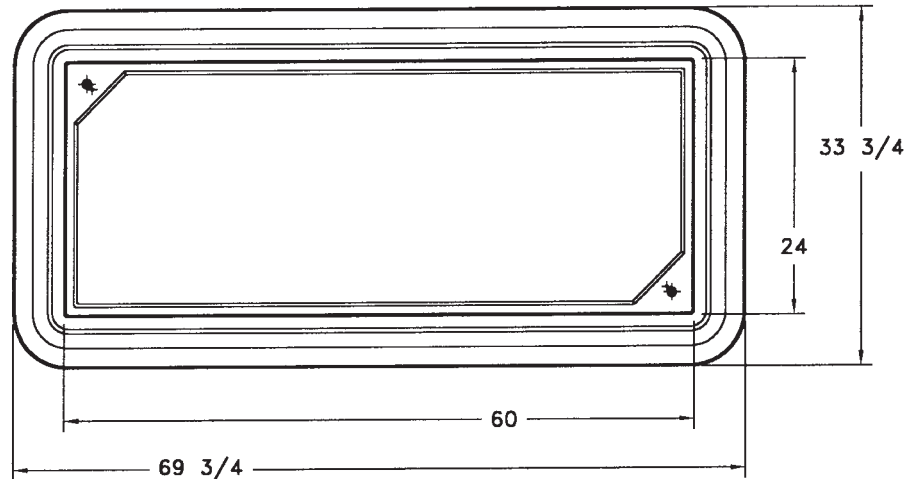
- **STRONG** - 4 to 5 times the strength of concrete
- **LIGHTWEIGHT** - Quick easy installation for **LOWEST INSTALLED COST**
- **AVAILABLE** - Light traffic only.
- **NESTABLE** - for easy storage, transportation and freight savings (for flared wall boxes only)
- **NON-CONDUCTIVE** - And unaffected by UV light, moisture, freezing and sub soil chemicals
- **STAINLESS STEEL** - And non-corrosive hardware.
- **NO EXTRA CHARGE** - for standard cover logos

Assemblies

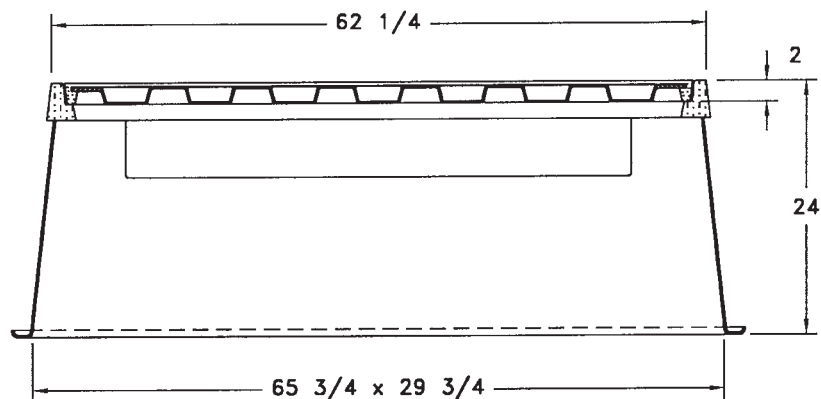
Box and Cover	Part No.	Weight
24" deep	_A10-2460-24	180 lb.

Components

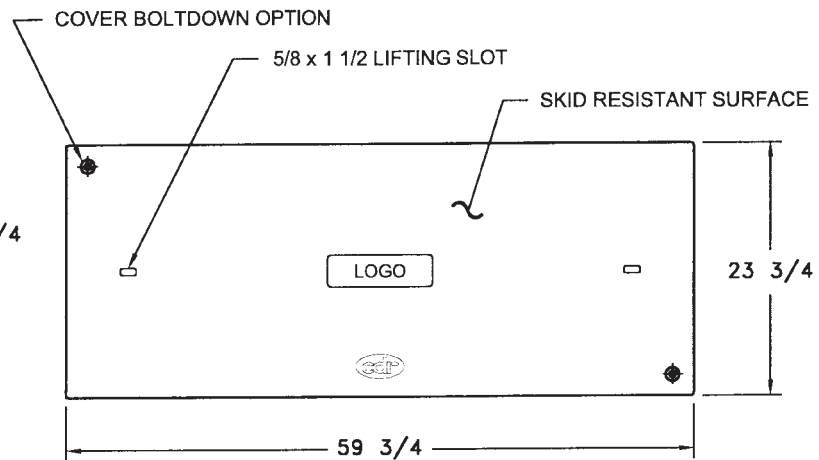
	Part No.	Weight
Box 24" deep	_B10-2460-24	115 lb.
Cover 2" Thick	_C10-2460-02	65 lb.



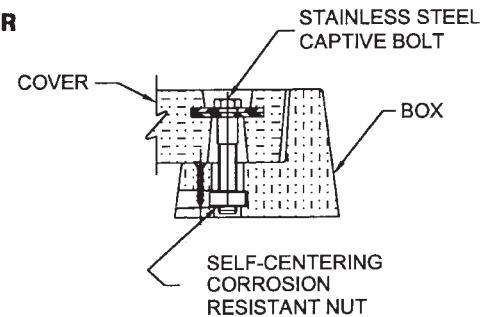
TOP VIEW



BOX & COVER SECTION

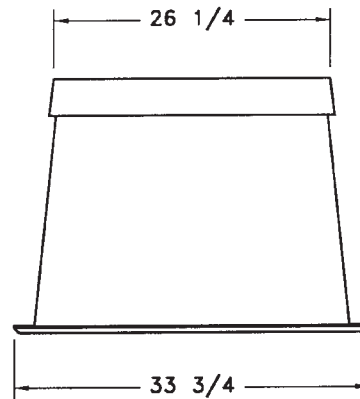


COVER



COVER BOLTDOWN OPTION

- MATERIAL: FIBERGLASS REINFORCED POLYMER CONCRETE & FIBERGLASS REINFORCED POLYMER
- STANDARD COLOR: CONCRETE GRAY
- (OPTIONAL COLORS AVAILABLE FOR COVER AND COLLAR)
- FLARED WALL BOXES ARE NESTABLE



END VIEW

cdr CDR SYSTEMS GROUP
146 SOUTH ATLANTIC AVE., ORMOND BEACH, FL. 32176

TITLE **24 x 60 SERIES**
BOX & COVER

DRAWN	E. HODGKINS	DATE	7/1/02
CHECKED		A SIZE	041-0001
APPROVED	AOK		