



17 X 30 BOXES

STRAIGHT WALL

FOR SPLICE BOXES – HANDHOLES – METER BOXES
FIBER OPTICS

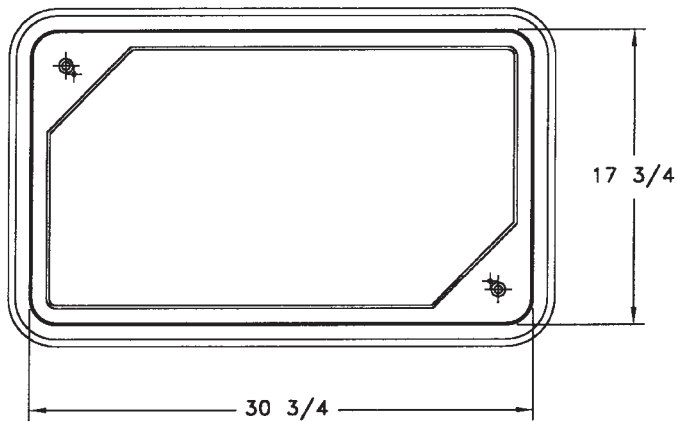
- **STRONG** - 4 to 5 times the strength of concrete
- **LIGHTWEIGHT** - Quick easy installation for **LOWEST INSTALLED COST**
- **AVAILABLE** - Light traffic or Heavy duty design
- **STACKABLE** - for added depth (straight wall boxes only)
- **NON-CONDUCTIVE** - And unaffected by UV light, moisture, freezing and sub soil chemicals
- **STAINLESS STEEL HARDWARE** - non-corrosive
- **NO EXTRA CHARGE** - for standard cover logos

Assemblies

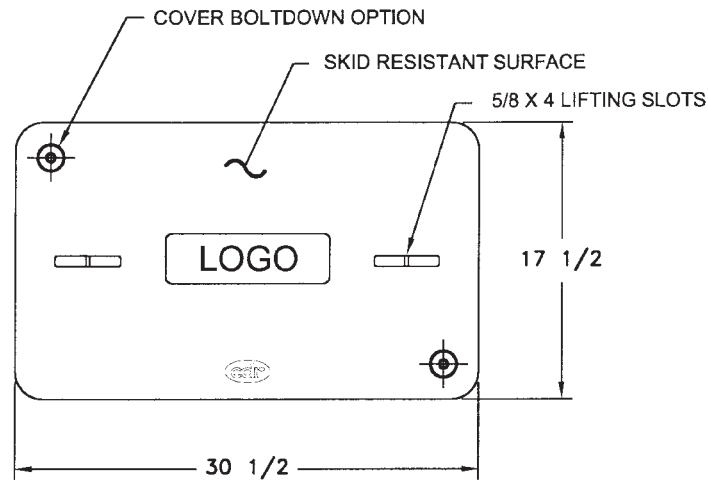
Box and Cover	COVER		LIGHT TRAFFIC		HEAVY DUTY	
	NOT BOLTED	BOLTED	Part No.	WT.	Part No.	WT.
12" deep	•		_A03-1730-12	93	_A04-1730-12	101
		•	_A13-1730-12	93	_A14-1730-12	101
18" deep	•		_A03-1730-18	105	_A04-1730-18	113
		•	_A13-1730-18	105	_A14-1730-18	113
22" deep	•		_A03-1730-22	115	_A04-1730-22	125
		•	_A13-1730-22	115	_A14-1730-22	125

Components

	LIGHT TRAFFIC				HEAVY DUTY			
	NOT BOLT DOWN		BOLT DOWN		NOT BOLT DOWN		BOLT DOWN	
	Part No.	WT.	Part No.	WT.	Part No.	WT.	Part No.	WT.
Box 12" deep	_B03-1730-12	46	_B13-1730-12	46	_B04-1730-12	50	_B14-1730-12	50
Box 18" deep	_B03-1730-18	58	_B13-1730-18	58	_B04-1730-18	62	_B14-1730-18	62
Box 22" deep	_B03-1730-22	68	_B13-1730-22	68	_B04-1730-22	74	_B14-1730-22	74
Cover 2" thick	_C00-1730-02	47	_C10-1730-02	47	_C02-1730-02	51	_C12-1730-02	51
Cover with 6" x 9" Cast Iron Meter Lid	_C00-1730-2C	51	_C10-1730-2C	51	_____		_____	

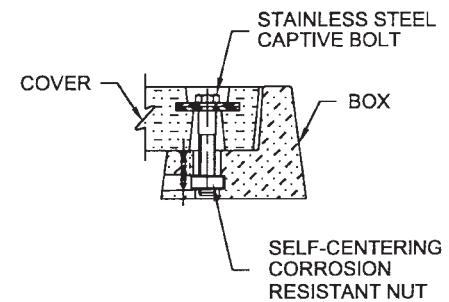


TOP VIEW

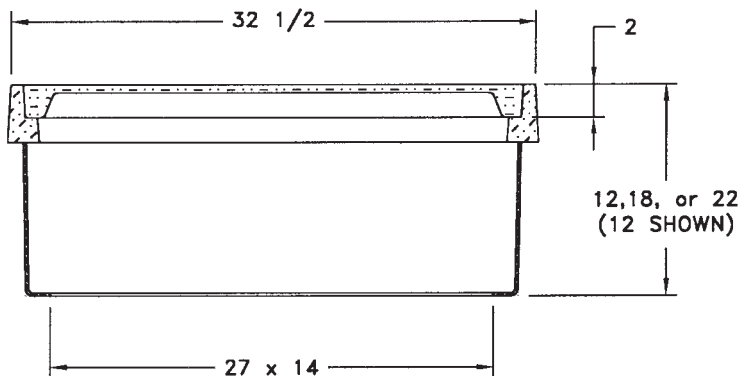


COVER

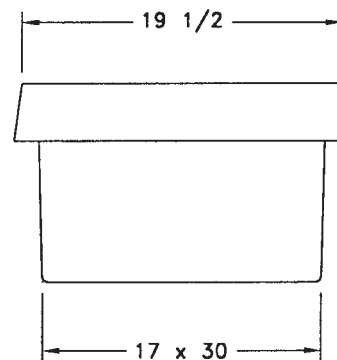
OPTIONAL CAST IRON READER LIDS AVAILABLE



COVER BOLTDOWN OPTION



BOX & COVER SECTION



END VIEW

- MATERIAL: FIBERGLASS REINFORCED POLYMER CONCRETE & FIBERGLASS REINFORCED POLYMER
- STANDARD COLOR: CONCRETE GRAY
- (OPTIONAL COLORS AVAILABLE FOR COVER AND COLLAR)
- FLARED WALL BOXES ARE NESTABLE

cdr CDR SYSTEMS GROUP
146 SOUTH ATLANTIC AVE., ORMOND BEACH, FL 32176

TITLE
**17 x 30 STRAIGHT WALL SERIES
BOX & COVER**

DRAWN	E. HODGKINS	DATE	7/1/02
CHECKED		A SIZE	021-0115
APPROVED	AOK		