



# 11 X 21 BOXES

## FOR WATER APPLICATIONS

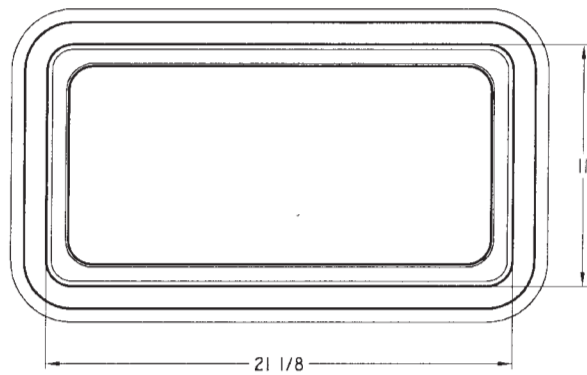
- **STRONG** - 4 to 5 times the strength of concrete
- **LIGHTWEIGHT** - Quick easy installation for **LOWEST INSTALLED COST**
- **ULTRAVIOLET LIGHT** - and chemical resistant
- **UNAFFECTED** - by moisture and freezing
- **CAST IRON** - meter reading lid offset for location over meter
- **OPTIONS** - touch read or radio read

### Assemblies

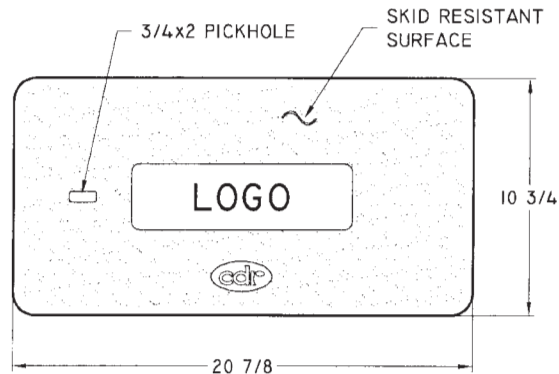
Box and Cover	Part No.	Weight
12" deep (straight wall)	WA03-1121-12	46 lb.

### Components

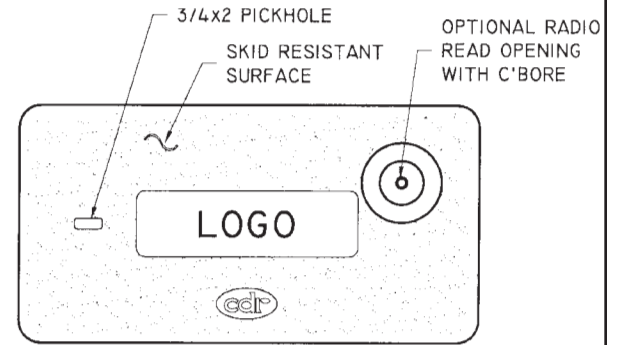
	Part No.	Weight
12" deep (straight wall)	WB03-1121-12	30 lb.
Cover 2" thick	WC00-1121-02	16 lb.



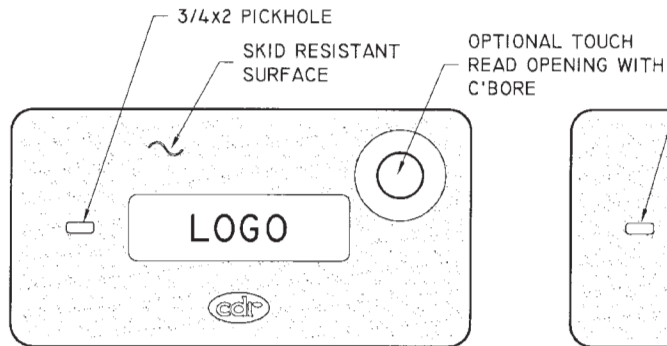
TOP VIEW



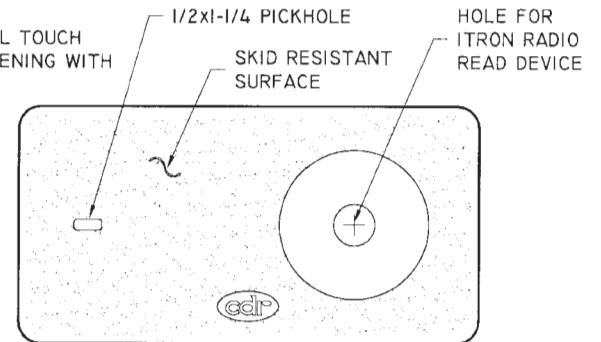
COVER



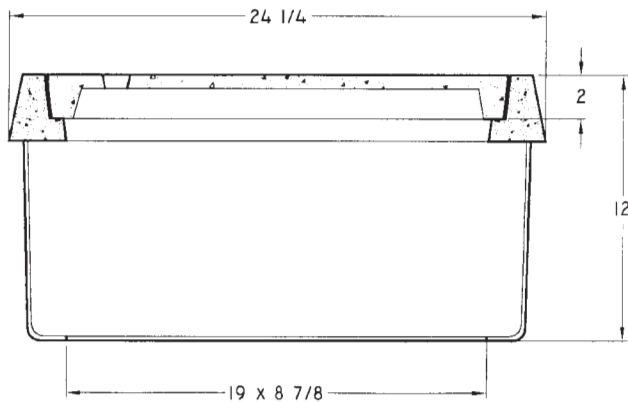
COVER w/RADIO READ OPENING



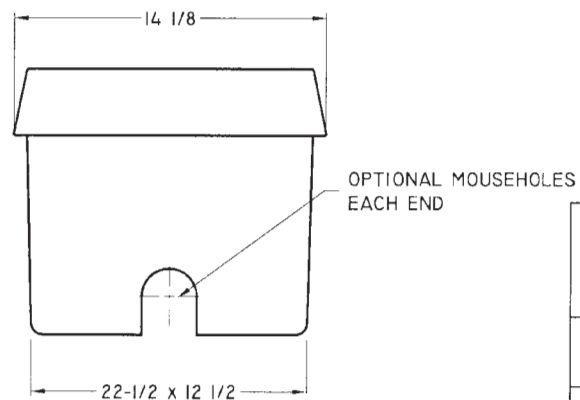
COVER w/TOUCH READ OPENING



COVER w/ITRON RADIO READ OPENING





BOX & COVER SECTION



END VIEW

- MATERIAL: FIBERGLASS REINFORCED POLYMER CONCRETE & FIBERGLASS REINFORCED POLYMER
- STANDARD COLOR: CONCRETE GRAY
- OPTIONAL COLORS AVAILABLE FOR COVER & BOX COLLAR

 148 SOUTH ATLANTIC AVE., ORMOND BEACH, FL. 32178			
TITLE			
<b>11 x 21 SERIES</b>			
BOX & COVER			
DRAWN	MMK	DATE	1/4/05
CHECKED			
APPROVED	AOK		<b>431-0001</b>